


A B C D E F G H J K L M N P Q

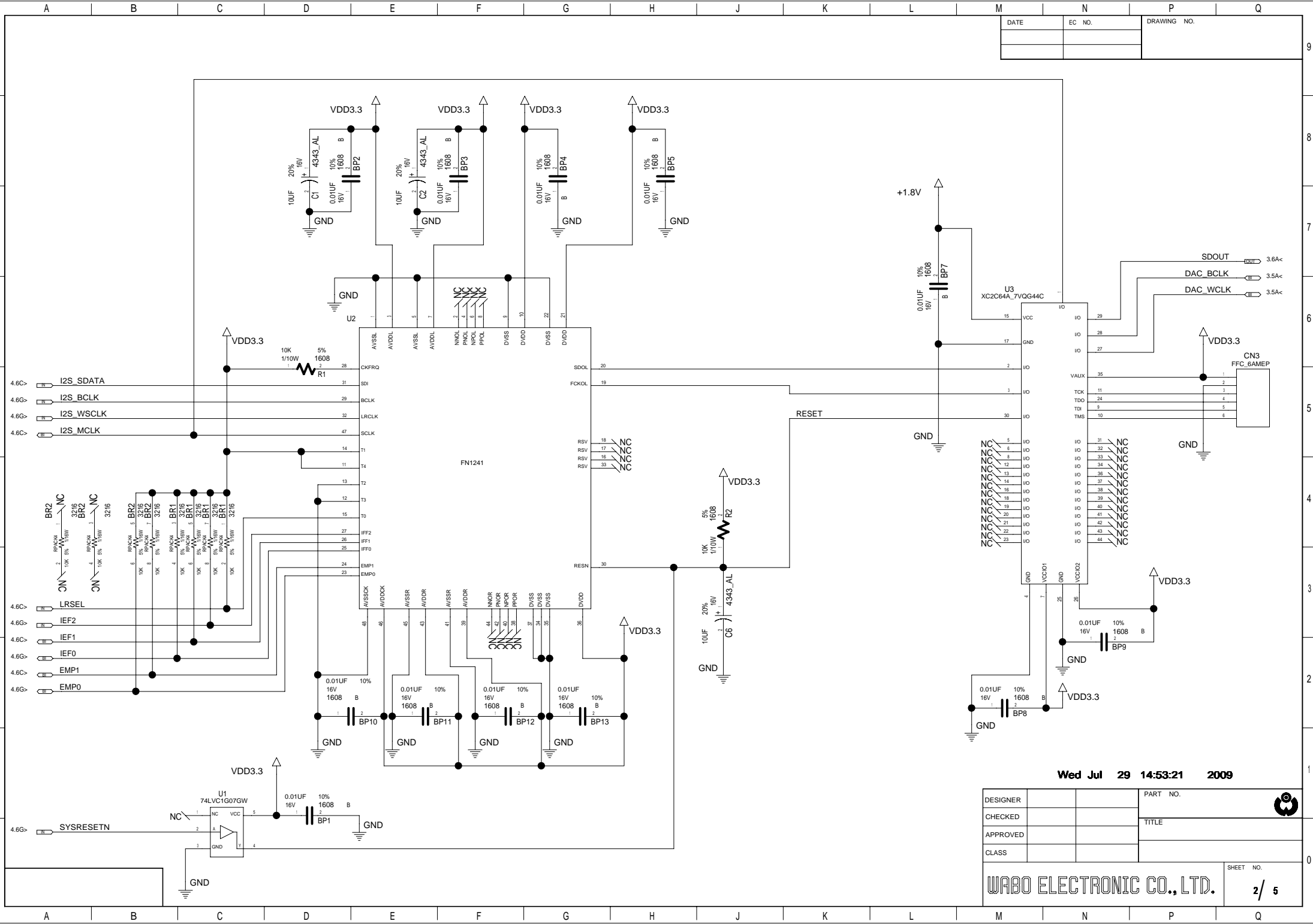
DATE	EC NO.	DRAWING NO.

D-9 FN1241-1704 DAC MODULE
VER 0.4

Tue Jul 28 19:46:14 2009

DESIGNER			PART NO.	
CHECKED			TITLE	
APPROVED				
CLASS				
WABO ELECTRONIC CO., LTD.				SHEET NO. 1 / 5

A B C D E F G H J K L M N P Q

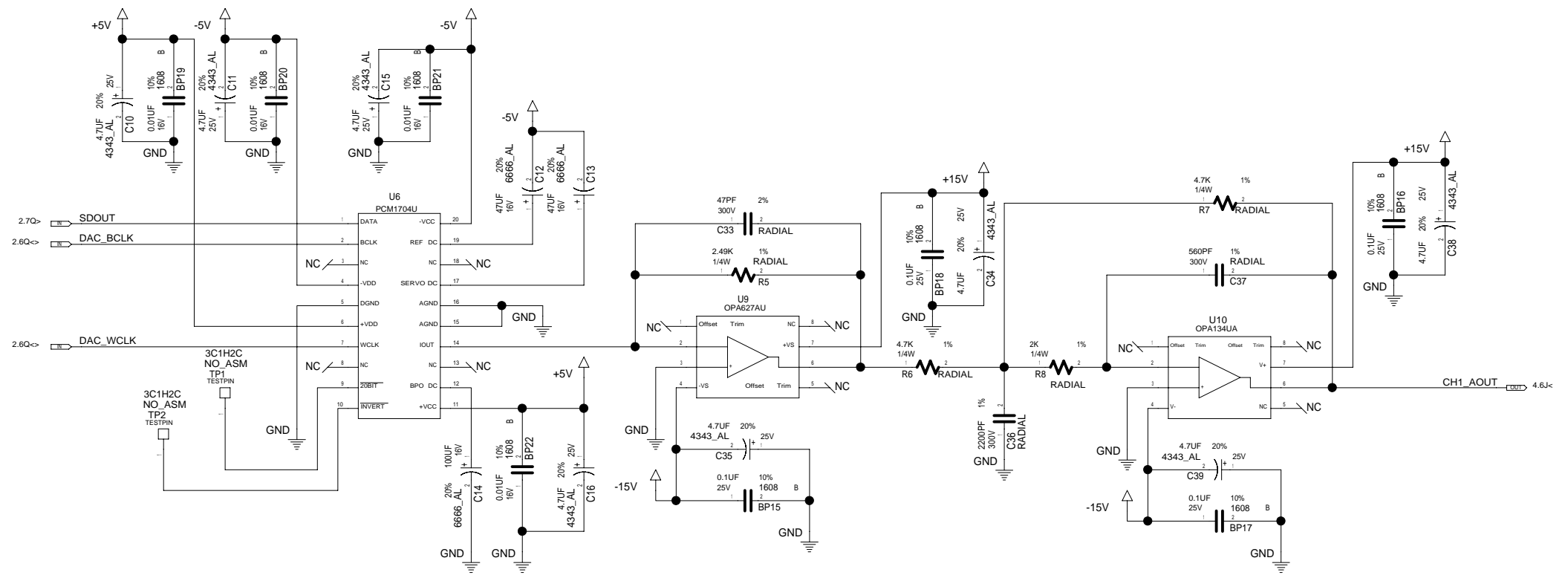


DATE	EC NO.	DRAWING NO.

Wed Jul 29 14:53:21 2009

DESIGNER		PART NO.	
CHECKED		TITLE	
APPROVED			
CLASS			

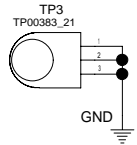
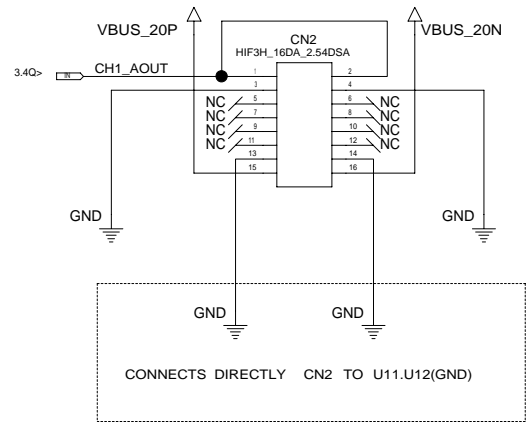
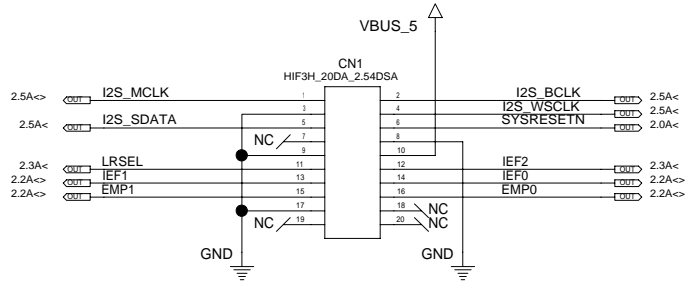
DATE	EC NO.	DRAWING NO.




Wed Jul 29 14:53:25 2009

DESIGNER		PART NO.	
CHECKED		TITLE	
APPROVED			
CLASS			
WABO ELECTRONIC CO., LTD.			SHEET NO. 3 / 5

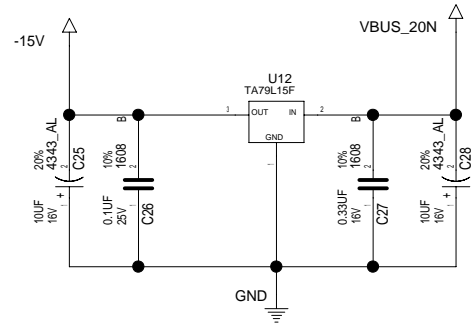
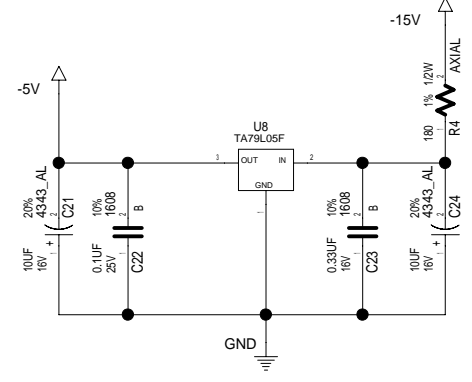
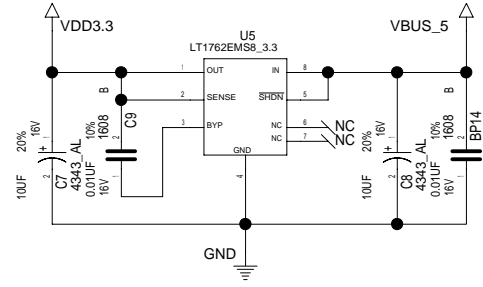
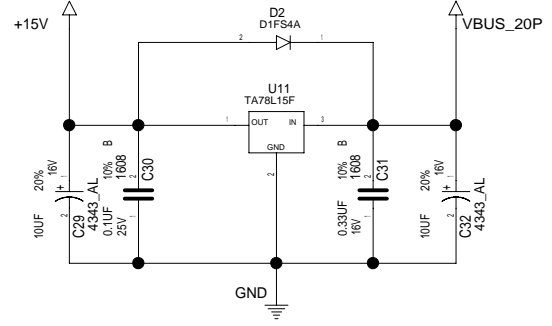
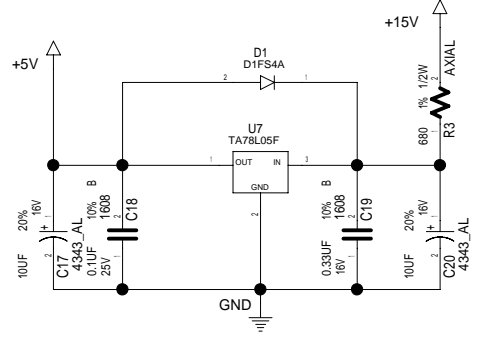
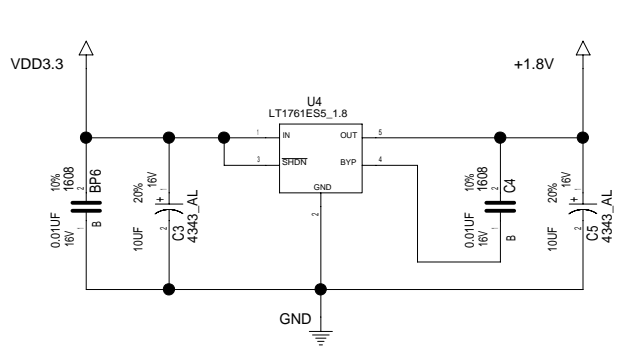
DATE	EC NO.	DRAWING NO.



Wed Jul 29 14:53:32 2009

DESIGNER		PART NO.	
CHECKED		TITLE	
APPROVED			
CLASS			
WABO ELECTRONIC CO., LTD.			SHEET NO. 4 / 5

DATE	EC NO.	DRAWING NO.



Wed Jul 29 14:53:29 2009

DESIGNER		PART NO.	
CHECKED		TITLE	
APPROVED			
CLASS			